



Product details

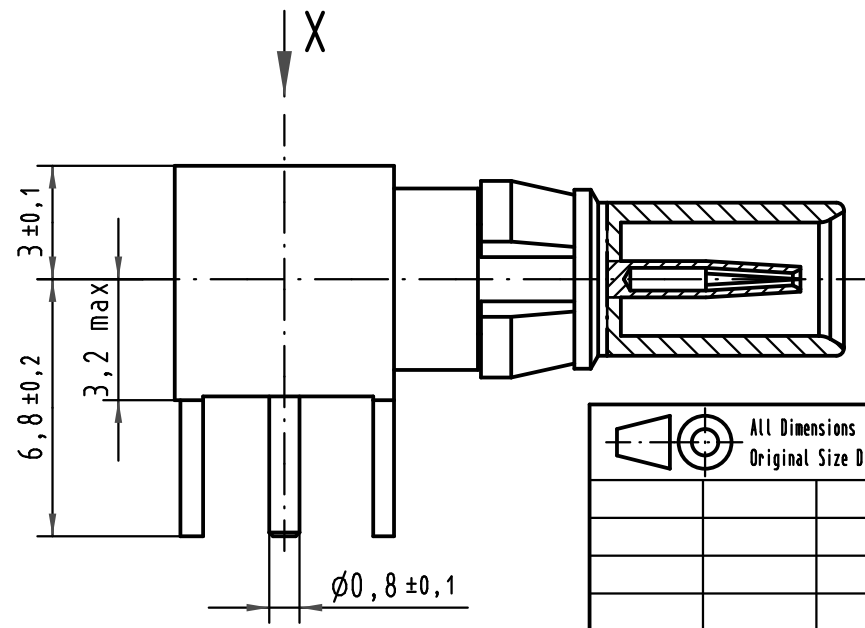
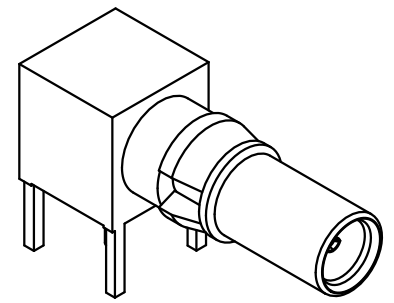
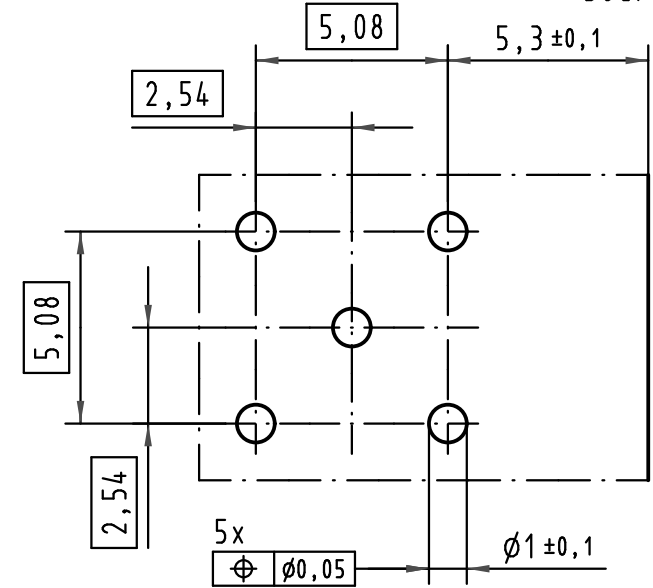
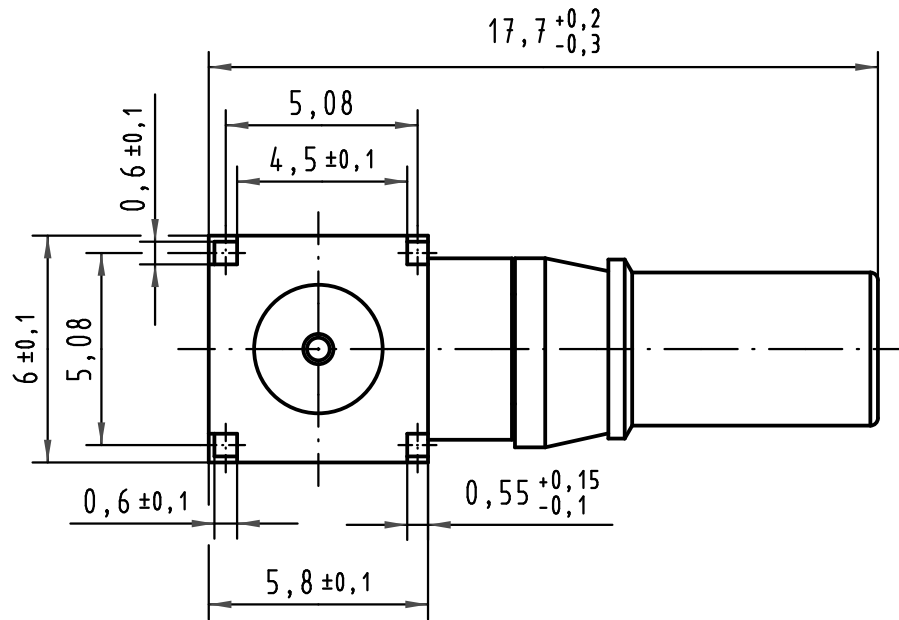
09 03 000 6262
Coaxial contacts for type M

Description Coaxial contacts, type M
 Female contacts
 Contacts for male connectors
 Impedance 50 Ohm
 Standard contacts
 Angled for pcb termination
 Performance level 2 as per IEC 60603-2
 without knurled area

RoHS compliant Yes

5 4 3 2 1

X Lochbild
board drillings



All Dimensions in mm
Original Size DIN A 4

Techn. Character.		DIN 41626 Teil 2	
	Dat.	Name	Maßstab/Scale
Detail.	24.07.02	Buß.	5:1
Insp.	24.07.02	kfoe	
Stand.			

Nicht tolerierte Maße/Free size tolerances
DIN 41626 Teil 2
Koaxialkontaktbuchse 50Ω gewinkelt Einlöt
für Messerleiste Typ M
female coax contact 50Ω angled solder
for male connector type M

33326	17.01.06	Cl a
30079		
Mod.	Dat.	Name

HARTING Electronics GmbH & Co. KG
D-32339 ESPELKAMP

TB 09 03 000 6262 Blatt/ page
Sub. TB 09 03 000 6262 Mod. 20645 v. 18.10.96